

MANDATORY SERVICE BULLETIN**NUMBER:** SB11-16**REVISION:** 00**DATE:** 10/07/2011**SUBJECT:** CREW SEAT STOP BRACKET ADDITION**EFFECTIVITY:**

KODIAK 100 Series Aircraft Serial Numbers: 100-0001 through 100-0055

SUMMARY:

The accompanying Field Service Instruction provides guidance for the installation of stop brackets onto the crew seat adjustment assembly and must be complied with to prevent possible future damage to the crew seat chain plate, P/N 100-825-1231. Contact Quest Customer Service for Service Kit P/N FSI-024.

COMPLIANCE:

This Mandatory Service Bulletin must be complied with on or before the next 100 hr, Annual Inspection, or scheduled maintenance, whichever comes first.

ATTACHED DOCUMENTS:

Document #:	Date:	Document Title:
FSI-024	10/06/11	Crew Seat Stop Bracket Addition

FAA APPROVAL STATUS:

The resultant instructions attached to this Service Bulletin has demonstrated compliance with all applicable Federal Aviation Regulations and is approved by the Federal Aviation Administration.

CREDIT AND WARRANTY INFORMATION:

Quest Aircraft Company will reimburse for the cost of this inspection up to \$170.00. For reimbursement send Quest Aircraft Company a copy of the inspection record, a completed KODIAK Warranty Claim Form, and an invoice that does not exceed the amount listed above.

Quest Customer Service**Service Bulletin: SB11-16****Phone: (208)263-1111 Toll Free: 1(866)263-1112****Email: Customercare@questaircraft.com****SPECIAL INSTRUCTIONS:**Quest Aircraft Company, LLC
© Copyright 2011
All Rights Reserved

No part of this document may be reproduced, copied, transmitted, disseminated, downloaded or stored in any storage medium, for any purpose without the express prior written consent of Quest Aircraft Company, LLC.



FIELD SERVICE INSTRUCTION

TITLE: Crew Seat Stop Bracket Addition
SERIAL RANGE: 100-0001 through 100-0055
JASC CODE: 2510

PAGE: 1 of 8
REPORT NO.: FSI-024
REVISION: 01

SUBJECT

This Field Service Instruction provides guidance for the installation of stop brackets onto the crew seat adjustment assembly.

AFFECTED MANUALS AND PUBLICATIONS

- None

INDUSTRY REFERENCES

Loctite® 222MS™ Technical Data Sheet dated: December 2005 (or later)

WEIGHT AND BALANCE

Approximately 0.126 lb per seat at 10.0" forward of aft crew seat attach foot (considered negligible weight change, per AC 43.13).

MANPOWER

The estimated manhours and minimum number of persons required to perform this Field Service Instruction are listed below. The “Minimum Persons” refers only to maintenance personnel or installers, and unless otherwise specified within this instruction does not include additional personnel that may be needed solely to comply with safety requirements (for example, safety observers that are not performing tasks within this instruction). It is the responsibility of maintenance personnel to comply with safety requirements, including having a safety observer available as needed.

Estimated Manhours: 2 hours

Minimum Persons: 1 person

If more than the minimum personnel perform this instruction, the actual manhours required may be reduced due to increased efficiencies. As appropriate, Quest encourages the use of additional personnel; manhour estimates are based on the minimum personnel required.

RECORD OF COMPLETION

- Update the *Kodiak 100 Maintenance Log Books*

ATTACHED DOCUMENTATION

- *LOCTITE® 222MS™ Technical Data Sheet* (Dated: December 2005)



Quest Aircraft Company, LLC
1200 Turbine Drive
Sandpoint, ID 83864



FIELD SERVICE INSTRUCTION

TITLE:

Crew Seat Stop Bracket Addition

SERIAL RANGE:

100-0001 through 100-0055

JASC CODE: 2510

PAGE:

2 of 8

REPORT NO.:

FSI-024

REVISION:

01

REVISION RECORD

REV	DATE	PAGE	CHANGE DESCRIPTION
00	09-28-11	All	Initial Release
01	10-06-11	All	Change Serial Range Was 100-0001 through 100-0056 (100-0056 Crew Seat Stop Bracket change was implemented at the factory) Is 100-0001 through 100-0055



TITLE:

FIELD SERVICE INSTRUCTION

Crew Seat Stop Bracket Addition

SERIAL RANGE:

100-0001 through 100-0055

JASC CODE:

2510

PAGE:

3 of 8

REPORT NO.:

FSI-024

REVISION:

01

TABLE OF CONTENTS

REVISION RECORD.....2

TABLE OF CONTENTS.....3

1. Special Safety Instructions.....4

 1.1 Warnings4

 1.2 Cautions.....4

 1.3 Notes.....4

2. Parts, Tools, and Equipment4

 Table 2-1: Parts and Tools Included in the Service Kit..... 4

 Table 2-2: Consumables Included in the Service Kit..... 4

 Table 2-3: Parts and Tools NOT Included in the Service Kit 4

3. General.....5

4. Crew Seat Removal.....5

5. Component Removal5

6. Stop Bracket Installation.....5

 6.1 Stop Bracket Installation5

 6.2 Opposite Side Stop Bracket Installation.....5

 6.3 Remaining Crew Seat Installation.....5

7. Functionality Test6

8. Crew Seat Installation.....6

9. Record the Work Performed in the *Kodiak Log Books*.....6

10. Figures.....7

 Figure 1-1: Component Removal..... 7

 Figure 1-2: Stop Bracket Installation 8



FIELD SERVICE INSTRUCTION

TITLE:

Crew Seat Stop Bracket Addition

SERIAL RANGE:

100-0001 through 100-0055

JASC CODE:

2510

PAGE:

4 of 8

REPORT NO.:

FSI-024

REVISION:

01

1. Special Safety Instructions

1.1 Warnings

Failure to comply with “Warnings” contained in this instruction may result in financial loss, significant delay in the completion time, and/or serious injury to personnel.

1.2 Cautions

Failure to comply with “Cautions” contained in this instruction may result in the destruction of components, unnecessary complications, the need to reverse completed work, and/or delays in the completion time.

1.3 Notes

“Notes” are provided when additional information may lead to an increase in efficiency.

2. Parts, Tools, and Equipment

The following tables describe the parts, tools, and equipment necessary to successfully complete this instruction. Where applicable, reference to drawings provided with this instruction is provided.

Table 2-1: Parts and Tools Included in the Service Kit

Item #	Part No.	Qty	Description	Drawing No.	Dwg Item #
2-1-1	100-825-1246	4	Crew Seat Stop Bracket	N/A	N/A
2-1-2	NAS43HT4-18	4	Spacer Sleeve	N/A	N/A
2-1-3	MS27039-4-10	4	1/4" Pan Head Screw	N/A	N/A
2-1-4	NAS1149F0463P	4	Washer	N/A	N/A

Table 2-2: Consumables Included in the Service Kit

Item #	Part No.	Qty	Description	Drawing No.	Dwg Item #
2-2-1	Loctite-222MS	1	Loctite® 222MS™	N/A	N/A

Consumables may be shipped separately from the primary kit.

Table 2-3: Parts and Tools NOT Included in the Service Kit

Item #	Part No.	Qty	Description	Drawing No.	Dwg Item #
2-3-1	SSD 4255 B5	AR	Pop Rivet	N/A	N/A



FIELD SERVICE INSTRUCTION

TITLE:

Crew Seat Stop Bracket Addition

SERIAL RANGE:

100-0001 through 100-0055

JASC CODE: 2510

PAGE:

5 of 8

REPORT NO.:

FSI-024

REVISION:

01

3. General

The directions contained within this field service instruction provide the information needed to install two stop brackets to each of the crew seat adjustment assemblies.

4. Crew Seat Removal

Remove both crew seats in accordance with the *KODIAK 100 Maintenance Manual, Chapter 25 "Equipment Furnishings."*

5. Component Removal

⚠ CAUTION ⚠

To prevent damage, do NOT sit in the crew seats during the component removal or the stop bracket installation.

⚠ CAUTION ⚠

During the component removal and stop bracket installation, it is possible to pull the crew seat decorative panel aside enough to provide a sufficient working area. It is acceptable to remove the pop rivet indicated in **Figure 1-1, Detail B** to provide a larger working area. A new pop rivet (P/N **SSD 4255 BS**) will need to be installed after the installation of the stop brackets in **Section 6**. Follow all the manufacturer's installation and safety instructions.

Remove the bolt (P/N **100-825-1263**) and washer (P/N **NAS1149F0563P**) on both outboard sides of the crew seat as shown in **Figure 1-1, Detail C**. Discard the washer (P/N **NAS1149F0563P**), but retain the bolt (P/N **100-825-1263**) for use in **Section 6**.

▲ NOTE ▲

The bolt (P/N **100-825-1263**) has been secured into place with Loctite®. If the bolt is unable to be removed by using hand tools, localized heat may be used. Refer to Loctite® 222MS™ Technical Data Sheet (December 2005 or later) for further details.

6. Stop Bracket Installation

6.1 Stop Bracket Installation

Position the stop bracket (P/N **100-825-1246**), spacer sleeve (P/N **NAS43HT4-18**), and washer (P/N **NAS1149F0463P**) securing them into position with the pan head screw (P/N **MS27039-4-10**) as shown in **Figure 1-2, View E**. Torque the pan head screw to 50-70 in-lb.

Position the stop bracket (P/N **100-825-1246**), apply Loctite® 222MS® to the bolt (P/N **100-825-1263**) threads, and secure as shown in **Figure 1-2, View E**. Torque the bolt to 65-75 in-lb.

6.2 Opposite Side Stop Bracket Installation

Repeat the steps in **Section 6.1** on the opposite side of the crew seat.

6.3 Remaining Crew Seat Installation

Repeat the steps in **Section 6.1** through **Section 6.2** on the remaining crew seat.



FIELD SERVICE INSTRUCTION

TITLE:

Crew Seat Stop Bracket Addition

SERIAL RANGE:

100-0001 through 100-0055

JASC CODE:

2510

PAGE:

6 of 8

REPORT NO.:

FSI-024

REVISION:

01

7. Functionality Test

Using the crew seat adjustment handle located on the front of the seat, adjust each crew seat ensuring that both the upper and lower limits are reached.

▲ NOTE ▲

The stop bracket was installed to indicate a clear stop at the upper limit. When adjusted to the upper limit, the crew seat will reach the upper limit of the stop bracket; the crew seat may reach the lower limit of adjustment without reaching the lower limit of the stop bracket.

8. Crew Seat Installation

Reinstall the crew seats in accordance with the *KODIAK 100 Maintenance Manual, Chapter 25 "Equipment Furnishings."*

9. Record the Work Performed in the *Kodiak Log Books*

Upon completion, record all work performed in the appropriate *KODIAK 100 Maintenance Log Book*.



FIELD SERVICE INSTRUCTION

TITLE:

Crew Seat Stop Bracket Addition

SERIAL RANGE:

100-0001 through 100-0055

JASC CODE: 2510

PAGE:

7 of 8

REPORT NO.:

FSI-024

REVISION:

01

10. Figures

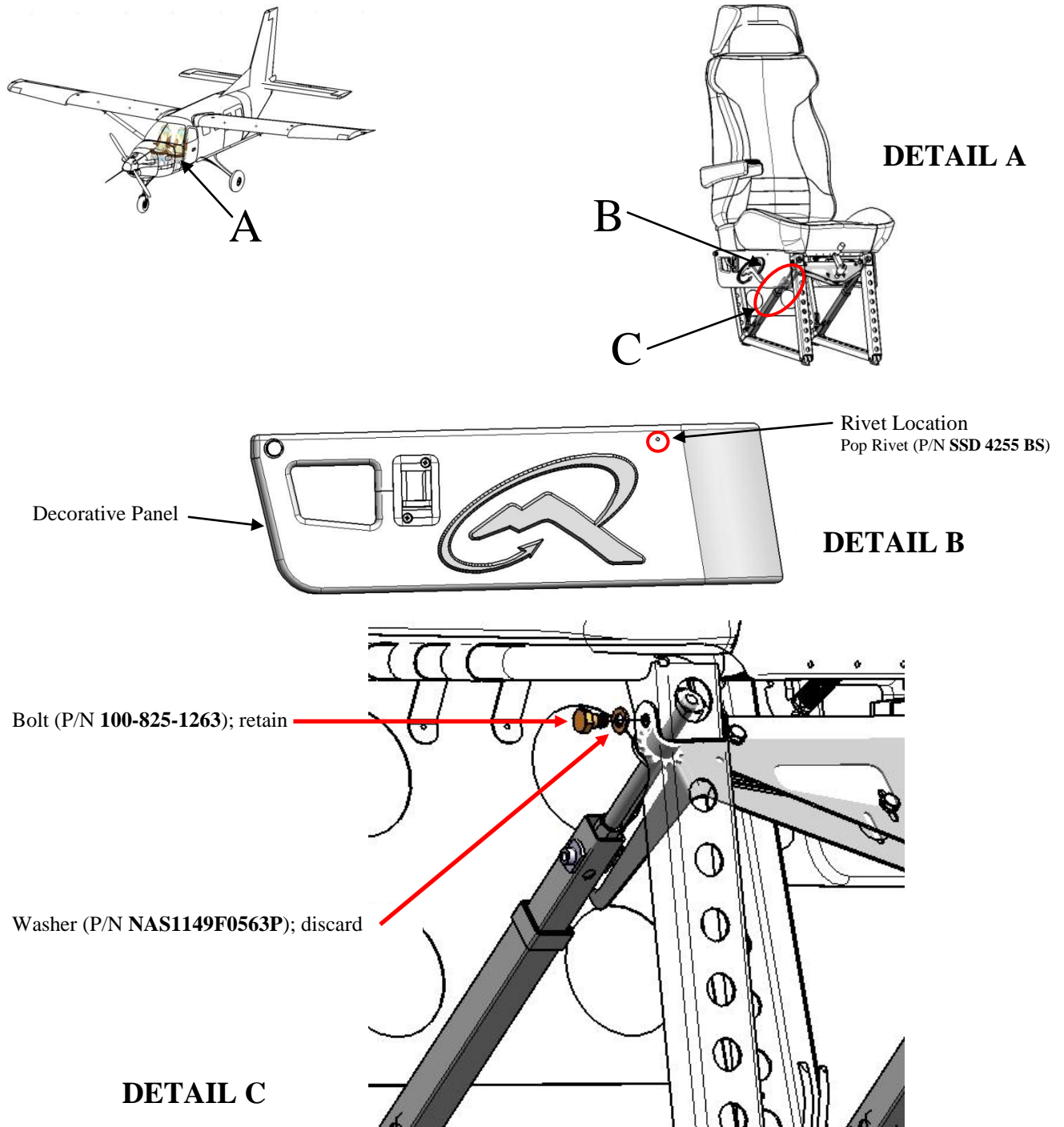
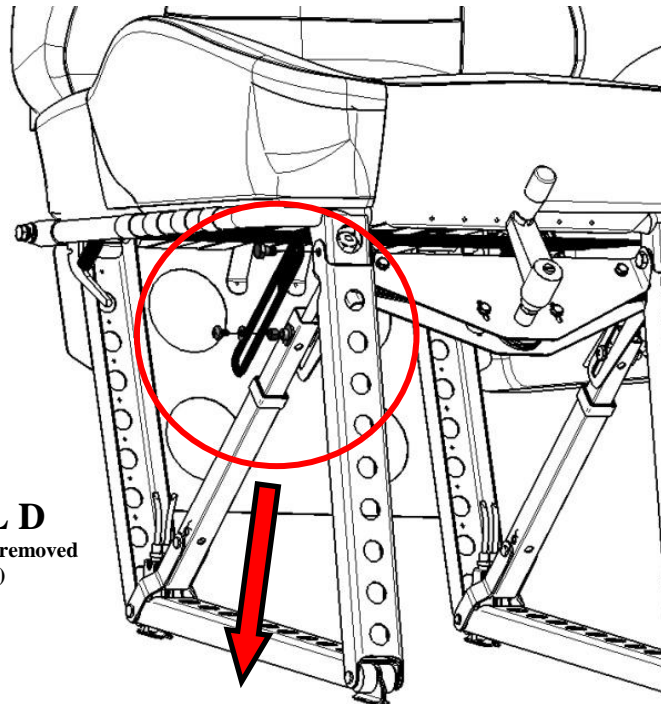


Figure 1-1: Component Removal



DETAIL D
(Decorative panel removed for clarity)

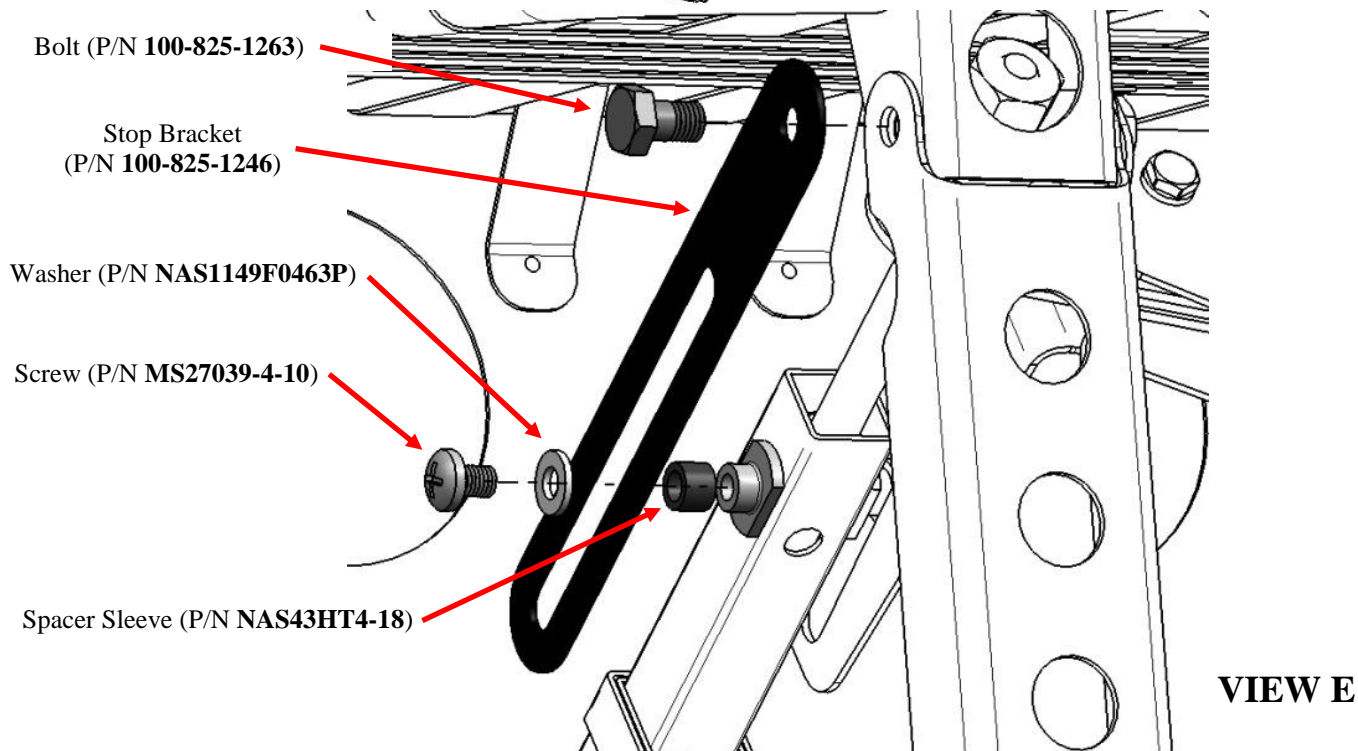


Figure 1-2: Stop Bracket Installation

---END---